

ELNet^{PFC} Power Factor Controller



ELNet PFC - Power Factor Controller enables measurement of power factor and power factor correction by using up to 6 On/Off switching control of capacitor bank.

ELNet PFC enables automatic identification of capacitors' size and its connection in various methods.

The advanced color LCD screen allows easily accessing basic electrical values screens such as voltage, current etc as well as all the information and the setting screens.

Harmonic protections, capacitor life prolonging and energy saving algorithms make the PFC to be a most effective solution for power factor correction.

Technical Data

Power Requirements:	90 ~ 250 VAC 110 ~ 280 VDC 60/50 Hz 8VA
Dimensions (HxWxD):	96 x 96 x 80 mm
Shipping Weight:	0.65 Kg.
Environmental:	
Operation.	-20 ~ +70 °C
Storage.	-20 ~ +70 °C
Humidity	0 ~ 95 RH% non-condensing
Front Panel Protection	IP64

Input & Output Rating

Accuracy:	0.5% in nominal range
Voltage: Line-Line	0 ~ 950 VAC RMS
Line-Neutral	0 ~ 650 VAC RMS
Maximum	1000V RMS Continuous
Burden	< 0.06VA
Current: Rated	0-5 A
Overload	50 A RMS Continuous
Withstand	100 A for 1 minute
Burden	< 0.05 VA
Display:	High resolution color LCD display 320x240 pixels
Maximum Input Voltage:	1000V
Maximum Input Current:	6A
Digital output:	6, dry contact maximum load 3A

Standards

IEC 60051-5	IEC 61000-4-2
EN 55022, Class A, Amendments A1; A2	IEC 61000-4-3
EN 55024, Amendments A1; A2	IEC 61000-4-4
EN 61000-3-2, Class A	IEC 61000-4-5
EN 61000-3-3, Amendment A1	IEC 61000-4-6
EN 55022, Class A, Amendments A1; A2	IEC 61000-4-11



CONTROL APPLICATIONS Ltd.

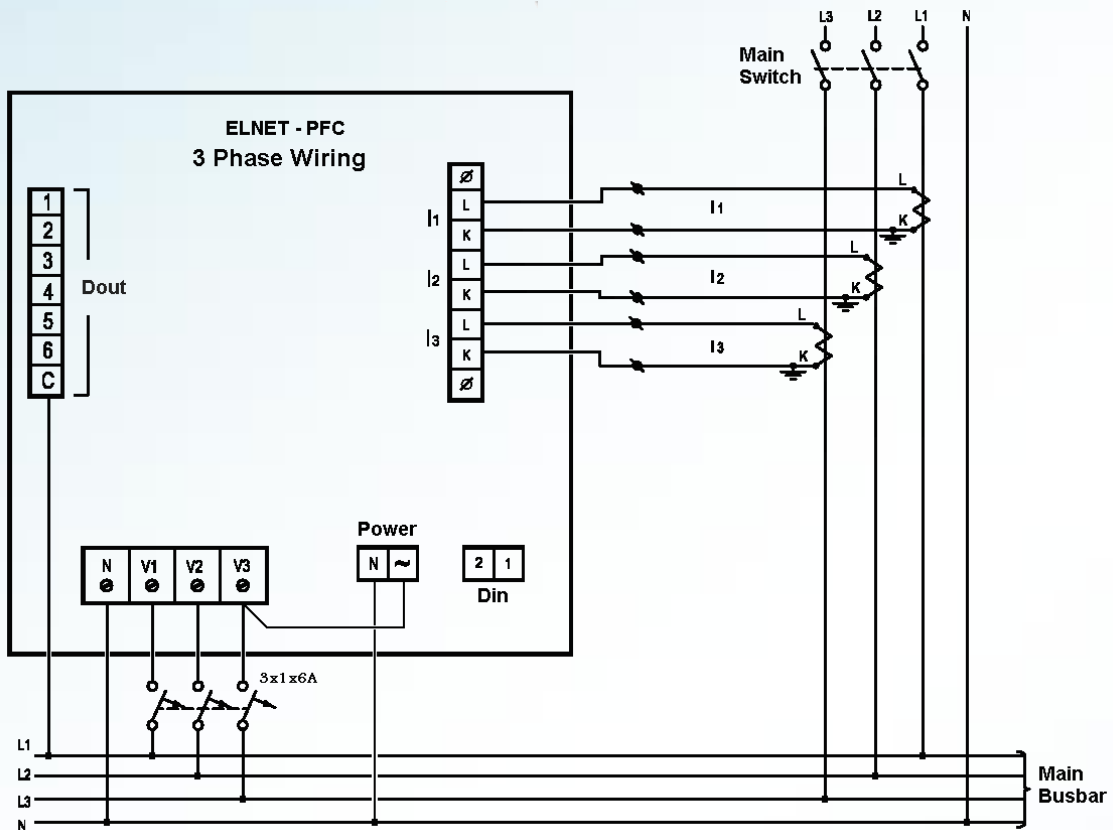
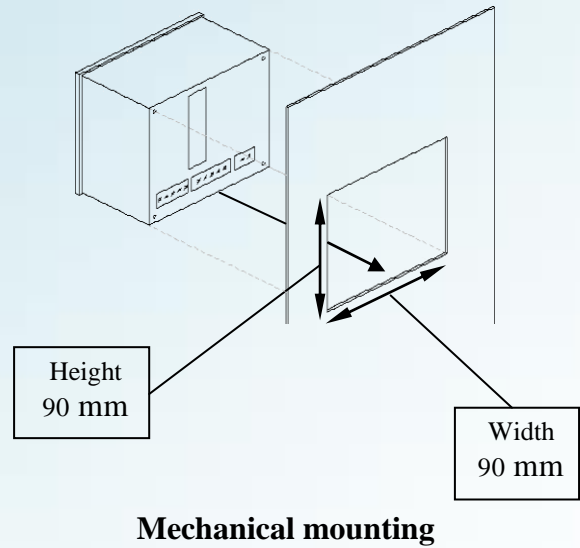
Supervision & control system

Tel: +972-3-6474998 Fax: +972-3-6474598 24a Habarzel St. Tel-Aviv, 69710, Israel

ELNet^{PFC} Power Factor Controller

Measurement & Display Values

Measurement Parameter	Display Range in direct connection (scaling factor 1)	Measuring in direct connection (scaling factor 1)	Display Range
Current	0.001 – 6A	0.001 – 6A	0.001 – 99999KA
Voltage L-N	0.000 – 650 V	0.000 – 650 V	0.001 – 99999KV
Voltage L-L	0.000 – 650 V	0.000 – 650 V	0.001 – 99999KV
Frequency (Hz)	45.001-65.001 Hz	45.001-65.001 Hz	45.001-65.001 Hz
Power Factor (cap.\ind.)	-1.000 ÷ 1.000	-1.000 ÷ 1.000	-1.000 ÷ 1.000
Harmonic THD V\I			0.001 – 100%



Wiring Diagram Example



CONTROL APPLICATIONS Ltd.

Supervision & control system

Tel: +972-3-6474998 Fax: +972-3-6474598 24a Habarzel St. Tel-Aviv, 69710, Israel